

# express PRO

## EASY INSTALLATION



## USER INTERFACE



## EXPANDABILITY



## VERSATILITY

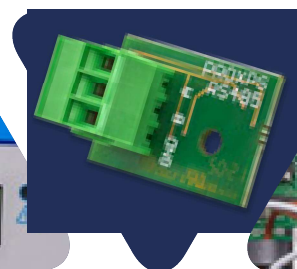


## The expression of completeness? express PRO

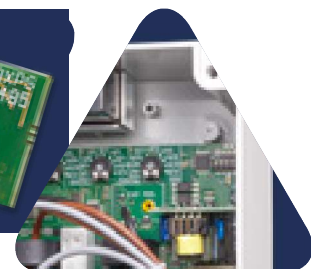
In this new version, **EXPRESS PRO** is once again the most complete, versatile and practical panel in the Elentek range. With its simple and immediate user interface, **6 preset modes** of use and multiple applications, Express Pro has evolved even further with additional connectivity, control and expandability options.



HISTORICAL  
ALARMS



RS485  
(Optional)



MODULAR  
EXPANDABILITY



## FLEXIBILITY

Additional application options thanks to analogue input

## ALWAYS PRESENT

Thanks to the multilingual display, every operation is displayed

## PROGRAMMABLE ANTI-SEIZE

Customisable programming to avoid undesired blockages

## MAXIMUM MODULARITY

System implementable up to 4 pumps

## APPLICATIONS

✓ PRESSURISATION

✓ FILLING

✓ EMPTYING

✓ DRAINAGE

## CONNECTIVITY

BMS FREE VOLTAGE CONTACTS MODULE

BLUETOOTH WI-FI MODULE FOR APP

WATER IN OIL CHAMBER MODULE

BUFFER BATTERY MODULE

RS485 MODBUS MODULE

LEVEL PROBES MODULE

## TECHNICAL FEATURES

### FUNCTIONS

- LCD display for displaying and programming: voltage, current, power factor, hours of operation, number of starts, motor status, alarms, analogue signal and thresholds
- AUTOMATIC - 0 (standby) - MANUAL (fixed or pulse) operation buttons
- Language settings (Italian, English, French, Spanish, German)
- Anti-seize autotest (programmable)
- Dry running protection with: level probes/ floats/ pressure switches and minimum current
- Up to 6 control inputs: floats/pressure switches
- Input for 4-20 mA or 0-10V analogue signal
- Unit of measurement analogue signal cm - m - bar
- Emergency start and stop inputs with analogue signal operation mode (can be disabled)
- Clickson thermal pad inputs with automatic reset (can be disabled)
- Inversion of inputs (from normally open to normally closed)
- Automatic reset for minimum current alarm with 4 programmable times
- Activation delay from mains return (can be disabled)
- Manual button operation (fixed or pulse)
- Predisposition for run capacitors for single-phase version (not included) (non inclusi)

### EXPRESS PRO 2-3-4 ADDITIONAL FUNCTIONS

- Duty standby (can be disabled)
- Immediate motor changeover in the case of a fault

### VERSIONS

- Single-phase version 100-240Vac 50/60Hz
- Three-phase version 310-450Vac 50/60Hz

### CONTROLS

- Electronic control of minimum and maximum voltage
- Electronic control of maximum motor current
- Electronic control of minimum motor current
- Failure or incorrect phase sequence control on power supply input (can be disabled)

### ALARMS

- Alarms reported: voltage status, levels, motor overload, minimum motor current, clickson motor
- Alarms history
- Alarms for too many starts/hour (programmable)
- General alarm output contacts

### PROTECTIONS

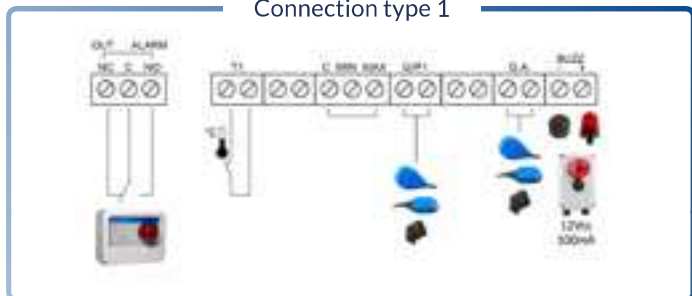
- Auxiliary and motor protection fuses
- Isolator (except for NB code)
- Box in ABS, IP55

## MODELS AND CONNECTION DIAGRAMS

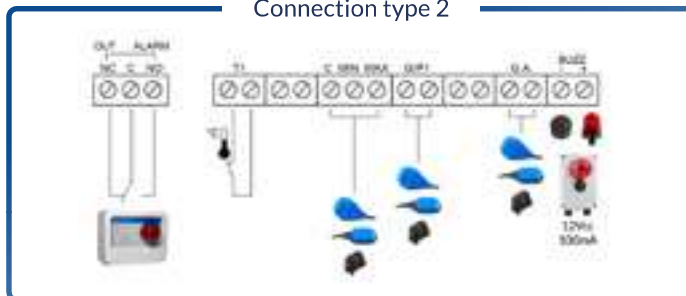
### express PRO 1

Code	Model	Voltage	Max power		Current		Box		Weight
			Kw	Hp	Range	Max	Mod.	Material	Kg.
11630NB	EXPRESS PRO 1-Mono (no switch interlocking door)	1~230 V	2,2	3	0-18 A	18 A	P1	Plastic	1.2
11630	EXPRESS PRO 1-Mono	1~230 V	2,2	3	0-18 A	18 A	P2	Plastic	1.5
11633	EXPRESS PRO 1-Tri/7,5	3~400 V	7,5	10	0-18 A	18 A	P2	Plastic	2.3
11634	EXPRESS PRO 1-Tri/11	3~400 V	11	15	16-25 A	25 A	P2	Plastic	2.5
11635	EXPRESS PRO 1-Tri/15	3~400 V	15	20	16-32 A	32 A	P2	Plastic	3

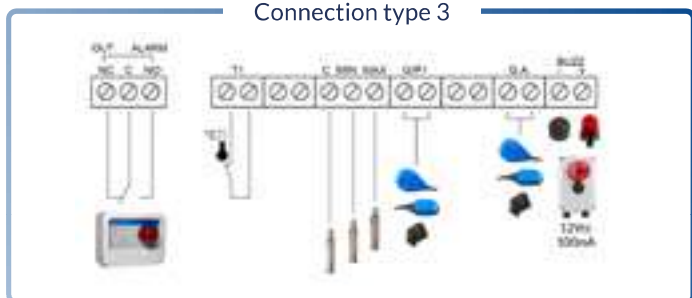
Connection type 1



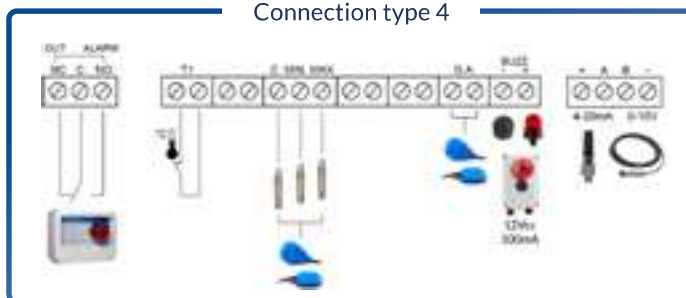
Connection type 2



Connection type 3



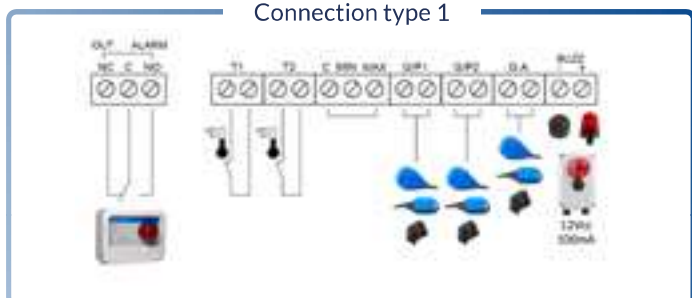
Connection type 4



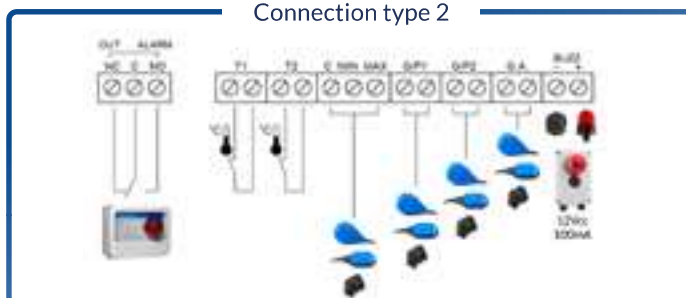
### express PRO 2

Code	Model	Voltage	Max power		Current		Box		Weight
			Kw	Hp	Range	Max	Mod.	Material	Kg.
12630NB	EXPRESS PRO 2-Mono (no switch interlocking door)	1~230 V	2,2	3	0-18 A	18 A	P1	Plastic	1.2
12630	EXPRESS PRO 2-Mono	1~230 V	2,2	3	0-18 A	18 A	P2	Plastic	1.5
12633	EXPRESS PRO 2-Tri/7,5	3~400 V	7,5	10	0-16 A	16 A	P2	Plastic	2.5
12634	EXPRESS PRO 2-Tri/11	3~400 V	11	15	16-25 A	25 A	P3	Plastic	3
12635	EXPRESS PRO 2-Tri/15	3~400 V	15	20	16-32 A	32 A	P3	Plastic	3.5

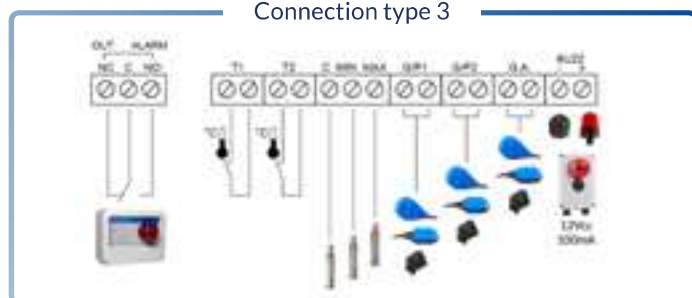
Connection type 1



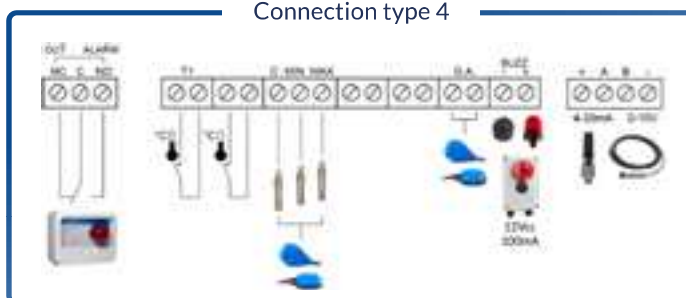
Connection type 2



Connection type 3



Connection type 4



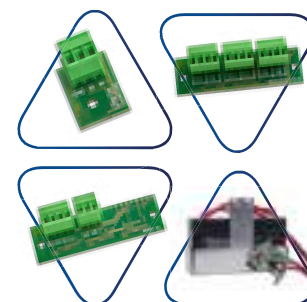
## ACCESSORIES

Code	Model	Description
98007	K3SL	Kit of 3 level probes (electrodes)
99050	PM/5	Pressure switch 1-5 bar
99051	PM/12	Pressure switch 3-12 bar
98003.012	AA-12Vdc	Acoustic alarm 90 dB 12Vdc
98004.012	LL-12Vac/dc	Flashing alarm 12V AC/DC
98022	FE	Emergency pushbutton
98029	DT	Daily timer with switch-riders
98030	WT	Weekly digital timer
98032	TPL	Pause/work timer
98033	CI24Vac	External 24Vac input for activation/deactivation of the motor
98033A	CI230Vac	External 230Vac input for activation/deactivation of the motor



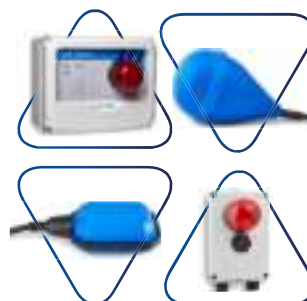
## EXPANSIONS

Code	Model	Description
98102	PRO-XPS	PROXPS RS485 Modbus module
98103	PRO-SL	PRO-SL level probe module
98104	PRO-H2O	PRO-SL H2O Oil Chamber Water Presence Module
98105	PRO-6DO	BMS dry contacts module
98106	PRO-DBT	PRODBT buffer battery module
98107	PRO-WiFi	Bluetooth wi-fi module for App PROXPS-WiFi / BT

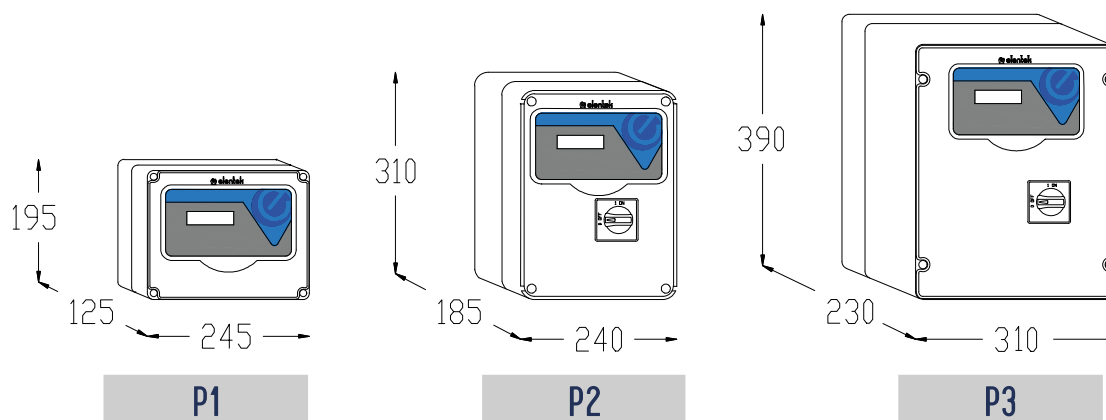


## RELATED PRODUCTS

Code	Model	Description
99034	FLO 10	Float switch with neoprene cable length 10 m
99036	DROP 10	Variable float switch with neoprene cable length 10 m
99039	SHELL	Counterweight
01503	FLASH 12	Acoustic/visual alarm panel
01500	UNIT ALARM 1	Acoustic alarm panel with buffer battery
01501	UNIT ALARM 2	Acoustic/visual alarm panel with buffer battery
01502	UNIT ALARM GSM	Acoustic/visual alarm panel with buffer battery and GSM kit
98044	TP010B	Pressure transducer 0-10Bar 4-20mA
98045	TP016B	Pressure transducer 0-16Bar 4-20mA
pag. 54	MANIFOLD	Stainless steel manifolds
97007	E-KIOSK	Polyethylene panel column
99009	BASE FULL	Base for horizontal and vertical 2-pump booster kits



## MODELS



## MODELS

### express PRO 3

Code	Model	Voltage	Max power		Current		Box		Weight
			Kw	Hp	Range	Max	Mod.	Material	Kg.
13630	EXPRESS PRO 3-Mono	1~230 V	2,2	3	0-18 A	18 A	P3	Plastic	5
13633	EXPRESS PRO 3-Tri/7,5	3~400 V	7,5	10	0-18 A	18 A	M1	Metallic	15
13634	EXPRESS PRO 3-Tri/11	3~400 V	11	15	16-25 A	25 A	M1	Metallic	15
13635	EXPRESS PRO 3-Tri/15	3~400 V	15	20	16-32 A	32 A	M1	Metallic	15

### express PRO 4

Code	Model	Voltage	Max power		Current		Box		Weight
			Kw	Hp	Range	Max	Mod.	Material	Kg.
14630	EXPRESS PRO 4-Mono	1~230 V	2,2	3	0-18 A	18 A	P3	Plastic	20
14633	EXPRESS PRO 4-Tri/7,5	3~400 V	7,5	10	0-18 A	18 A	M3	Metallic	25
14634	EXPRESS PRO 4-Tri/11	3~400 V	11	15	16-25 A	25 A	M3	Metallic	25
14635	EXPRESS PRO 4-Tri/15	3~400 V	15	20	16-32 A	32 A	M3	Metallic	25



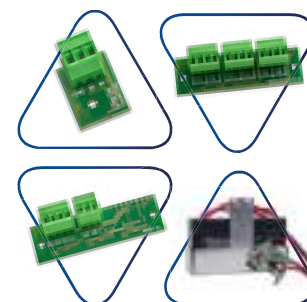
## ACCESSORIES

Code	Model	Description
98007	K3SL	Kit of 3 level probes (electrodes)
99050	PM/5	Pressure switch 1-5 bar
99051	PM/12	Pressure switch 3-12 bar
98003.012	AA-12Vdc	Acoustic alarm 90 dB 12Vdc
98004.012	LL-12Vac/dc	Flashing alarm 12V AC/DC
98022	FE	Emergency pushbutton
98029	DT	Daily timer with switch-riders
98030	WT	Weekly digital timer
98032	TPL	Pause/work timer
98033	CI24Vac	External 24Vac input for activation/deactivation of the motor
98033A	CI230Vac	External 230Vac input for activation/deactivation of the motor



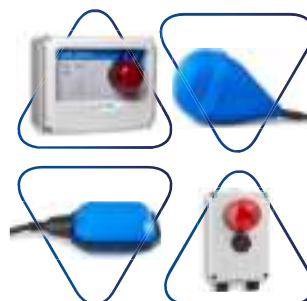
## EXPANSIONS

Code	Model	Description
98102	PRO-XPS	PROXPS RS485 Modbus module
98103	PRO-SL	PRO-SL level probe module
98104	PRO-H2O	PRO-SL H2O Oil Chamber Water Presence Module
98105	PRO-6DO	BMS dry contacts module
98106	PRO-DBT	PRODBT buffer battery module
98107	PRO-WiFi	Bluetooth wi-fi module for App PROXPS-WiFi / BT

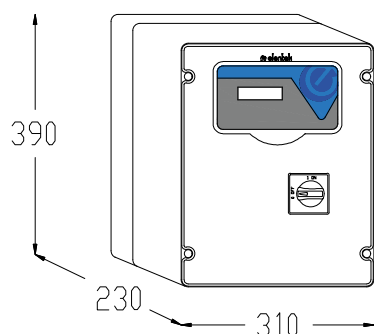


## RELATED PRODUCTS

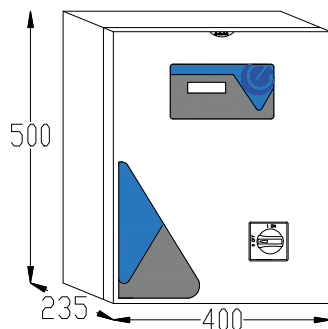
Code	Model	Description
99034	FLO 10	Float switch with neoprene cable length 10 m
99036	DROP 10	Variable float switch with neoprene cable length 10 m
99039	SHELL	Counterweight
01503	FLASH 12	Acoustic/visual alarm panel
01500	UNIT ALARM 1	Acoustic alarm panel with buffer battery
01501	UNIT ALARM 2	Acoustic/visual alarm panel with buffer battery
01502	UNIT ALARM GSM	Acoustic/visual alarm panel with buffer battery and GSM kit
98044	TP010B	Pressure transducer 0-10Bar 4-20mA
98045	TP016B	Pressure transducer 0-16Bar 4-20mA
pag. 54	MANIFOLD	Stainless steel manifolds
97007	E-KIOSK	Polyethylene panel column
99009	BASE FULL	Base for horizontal and vertical 2-pump booster kits



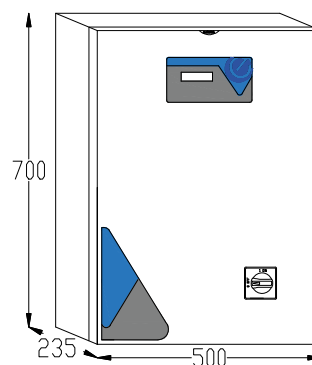
## MODELS



P3



M1



M3